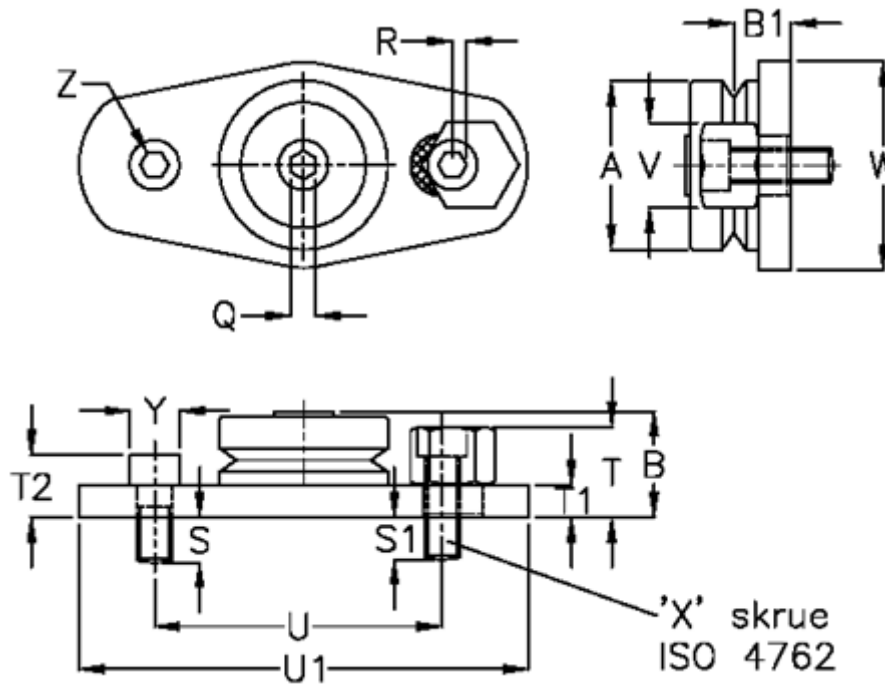


Article number: 0591330413

Description: Hepco SL2 stainless bearing SS BHJ13E-NS

Measures



a = 12.7	T1 = 3.75	Y = 5.5
B = 10.1	T2 = 6.75	Z = 8
B1 = 5.46	U = 30.0	
Q = 1.5	U1 = 47.5	
R = 1.5	V = 8	
S = 6.25	W = 20	
S1 = 8.0	Weight kg/1000 = 27	
T = 8.0	X = M3 x 0,5	